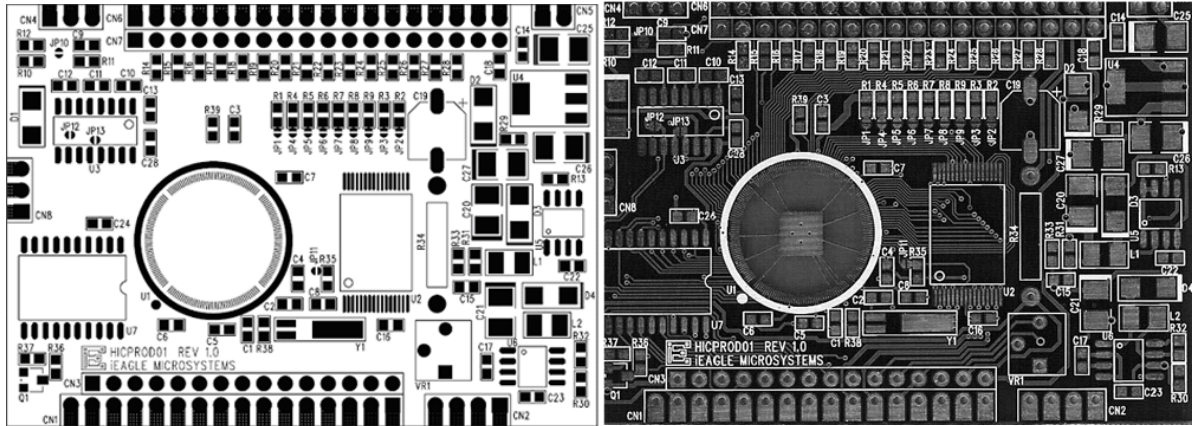




## Graphics Controller Board HICPROD01 Layout



Support for the 4.8” 240x128 Mono STN LCD Module :

### ◆ Pin Mapping

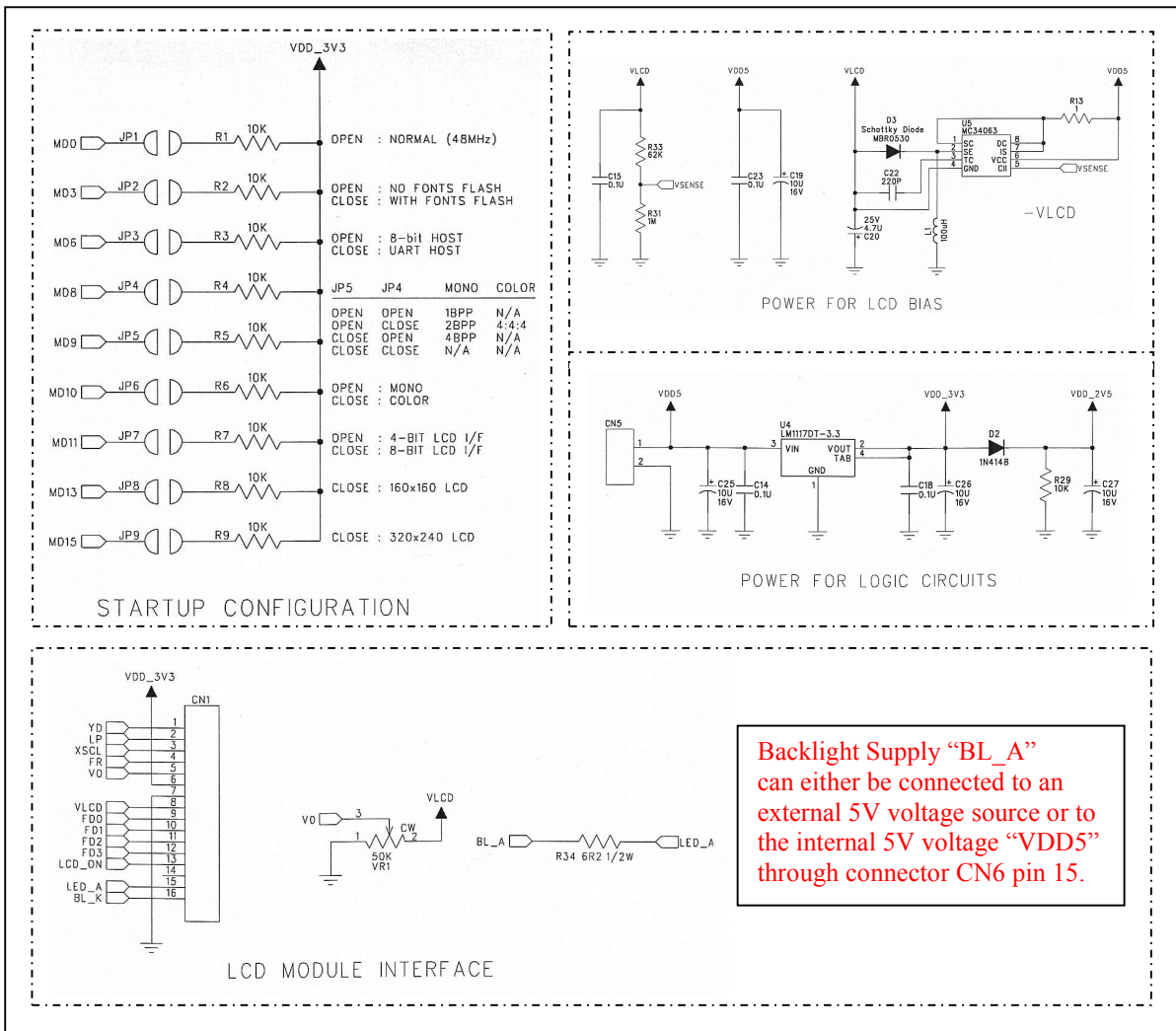
HICPROD01 Board Connector CN1		240x128 Mono LCD Module Connector K2	
Pin	Name	Pin	Name
1	YD	1	FLM
2	LP	2	LP
3	XSCL	3	CP
4	FR	4	M
5	V0	5	V0
6	3.3 V	6	VDD
7	VSS	7	VSS
8	VLCD	8	VEE
9	FD0	9	D0
10	FD1	10	D1
11	FD2	11	D2
12	FD3	12	D3
13	LCD_ON	13	/DISPOFF
14	NC	14	NC
15	LED_A	15	BLA
16	BL_K (VSS)	16	BLK



◆ Jumper Settings (All jumpers, except JP1 to JP3, can be over-ridden by software)

Jumper	Position	Descriptions	Comments
JP1	Open	PLL setting	Default (48MHz)
JP2	Open	Fonts Flash	Default (no Fonts Flash)
JP3	Open	Bus interface	Default (8-bit host)
JP4	Open	4 bit-per-pixel	Select 4 bit-per-pixel - 16 gray levels
JP5	Close		
JP6	Open	Mono LCD	Select Mono LCD
JP7	Open	4-bit LCD I/F	Select 4-bit LCD I/F
JP8	Open	-	Programmed through host
JP9	Open	-	

◆ LCD Module Interface Schematic



Backlight Supply "BL\_A" can either be connected to an external 5V voltage source or to the internal 5V voltage "VDD5" through connector CN6 pin 15.